

## CLAMSHELL BUCKETS



Clamshell bucket with replaceable digging teeth



One cubic yard, single line clamshell bucket

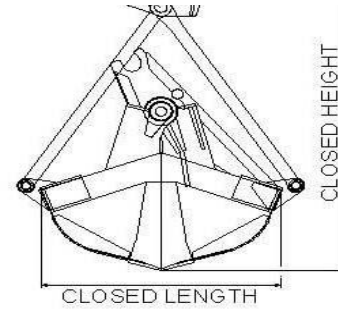
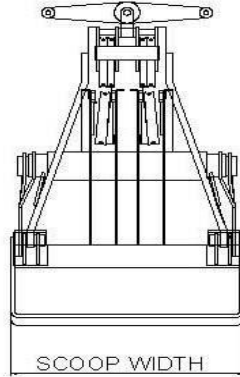
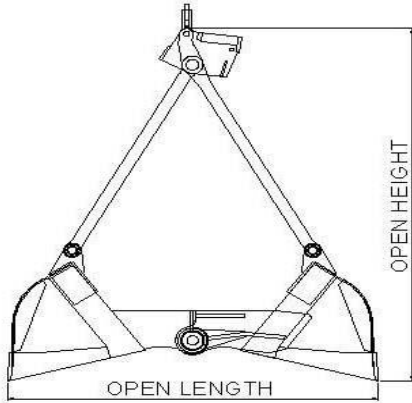


One and one half cubic yard, lever arm clamshell bucket

### FEATURES

Avon Engineering Clamshell Buckets are a cost effective, low maintenance tool for picking up and moving granular products. Clamshell buckets are strong and rugged. They can be used safely in water and in extremely harsh conditions. They are frequently used to move sand, mill scale, gypsum and salt.

- Full line of general purpose buckets.
- Available sizes are 1 cubic yard to 7 ½ cubic yards.
- Mechanical rope actuated. Single-line to four-line.
- Comprehensive inspection and rebuild service available.
- Optional replaceable digging teeth available.
- Designed according to the latest revision of ASME Spec. BTH-1: Design of Below-the-Hook Lifting Devices.



## TWO LINE LEVER ARM BUCKETS

### NORMAL WIDTH REHANDLING BUCKETS

Capacity Cu. Yds.	3/8	1/2	5/8	3/4	7/8	1	1 1/4	1 1/2	1 3/4	2	2 1/4	2 1/2	3		
Net Weight Lbs.	1500	1600	2300	2400	2900	3130	3540	4200	4775	5500	6000	6250	7820		
Width	29"	32"	35"	36"	37"	39"	41"	46"	52"	54"	56"	58"	62"		
Open Length	65"	68"	73"	78"	81"	85"	90"	95"	106"	110"	115"	119"	127"		
Closed Length	51"	54"	56"	63"	64"	67"	71"	74"	73"	76"	79"	81"	87"		
Open Height	80"	83"	89"	94"	100"	106"	110"	112"	113"	120"	123"	127"	136"		
Closed Height	69"	71"	77"	80"	87"	92"	95"	95"	101"	108"	111"	114"	122"		
Sheave Diameter	10.375"	10.375"	11.375"	11.375"	13"	14.5"	14.5"	16"	16"	18"	18"	18"	19.5"		
Rope Size	0.5"	0.5"	0.625"	0.625"	0.75"	0.75"	0.75"	0.75"	0.75"	0.875"	0.875"	0.875"	1"		

### WIDE REHANDLING BUCKETS

Capacity Cu. Yds.	5/8	3/4	1	1 1/4	1 1/2	1 3/4	2	2 1/4	2 1/2	3	3 1/2	4 1/4	5	6	7
Net Weight Lbs.	2150	2560	3270	3520	4470	4650	5350	5970	6580	7720	8800	10,500	11,750	14,770	16,750
Width	3' 6"	3' 9"	4' 3"	4' 7"	4' 11"	5' 3"	5' 6"	5' 9"	6' 0"	6' 5"	6' 8"	7' 2"	7' 5"	7' 9"	8' 2"
Open Length	6' 7"	6' 11"	7' 5"	7' 8"	8' 3"	8' 6"	8' 9"	9' 2"	9' 3"	9' 9"	10' 7"	11' 2"	11' 8"	12' 7"	13' 2"
Closed Length	4' 9"	5' 1"	5' 5"	5' 8"	6' 0"	6' 3"	6' 7"	6' 10"	7' 2"	7' 6"	7' 11"	8' 6"	9' 1"	9' 8"	10' 5"
Open Height	7' 2"	7' 9"	8' 3"	8' 7"	9' 3"	9' 6"	10' 4"	10' 4"	10' 8"	11' 4"	11' 10"	12' 5"	13' 4"	14' 3"	14' 11"
Closed Height	6' 3"	6' 9"	7' 2"	7' 5"	8' 0"	8' 2"	8' 8"	8' 11"	9' 1"	9' 8"	10' 2"	10' 6"	11' 3"	12' 2"	12' 7"
Sheave Diameter	11.375"	13	14.5"	14.5"	16"	16"	18"	18"	18"	19.5"	19.5"	19.5"	22.5"	24	24
Rope Size	0.5"	0.625"	0.75"	0.75"	0.75"	0.75"	0.875"	0.875"	0.875"	1"	1"	1"	1.125"	1.25"	1.25"

### GENERAL PURPOSE BUCKETS

Capacity Cu. Yds.	3/8	3/8	1/2	5/8	3/4	1	1 1/4	1 1/2	1 3/4	2	2 1/2	3	3 1/2	4
Net Weight Lbs.	1130	1600	2320	2550	3040	3850	4150	4860	5560	6700	8340	8,950	10,990	12,200
Width	2' 4"	2' 4"	2' 7"	2' 7"	3' 2"	3' 2"	3' 5"	3' 8"	3' 10"	4' 0"	4' 4"	5' 3"	5' 10"	6' 2"
Open Length	5' 2"	5' 6"	6' 0"	6' 7"	6' 8"	7' 3"	7' 8"	8' 1"	8' 7"	8' 11"	9' 11"	10' 8"	11' 0"	10' 0"
Closed Length	4' 8"	4' 10"	5' 3"	6' 0"	6' 0"	6' 9"	7' 2"	7' 5"	7' 11"	8' 4"	9' 0"	9' 3"	9' 7"	10' 5"
Open Height	6' 10"	7' 2"	7' 10"	8' 5"	8' 9"	9' 10"	10' 2"	10' 11"	11' 5"	12' 1"	13' 1"	11' 4"	11' 6"	12' 11"
Closed Height	5' 5"	5' 10"	6' 4"	6' 8"	7' 1"	7' 9"	8' 0"	8' 8"	9' 1"	9' 7"	10' 5"	10' 2"	10' 4"	10' 8"
Sheave Diameter	10.375	10.375	11.375	11.375	13	14.5	14.5	16	16	18	19.5	19.5	19.5	21
Rope Size	0.5"	0.5"	0.625"	0.625"	0.75"	0.75"	0.75"	0.75"	0.75"	0.875"	1"	1"	1"	1"

### HARD DIGGING BUCKETS

Capacity Cu. Yds.	3/8	3/8 Nar	1/2	1/2 Nar	3/4	3/4 Nar	1	1 1/4	1 1/2	1 3/4	2	2 1/2	3	4
Net Weight Lbs.	1755	1760	2515	2465	3460	3115	4250	5020	5500	6850	7000	9,140	10,375	13,990
Width	2' 4"	2' 0"	2' 8"	2' 4"	3' 2"	2' 8"	3' 2"	3' 6"	3' 9"	3' 11"	4' 1"	4' 5"	4' 8"	5' 1"
Open Length	5' 7"	6' 0"	6' 1"	6' 4"	6' 7"	7' 1"	7' 4"	7' 9"	8' 2"	8' 8"	8' 11"	9' 8"	10' 3"	11' 1"
Closed Length	4' 11"	5' 3"	5' 5"	5' 8"	6' 1"	6' 6"	6' 10"	7' 1"	7' 7"	8' 0"	8' 4"	9' 0"	9' 7"	10' 9"
Open Height	7' 3"	7' 7"	7' 11"	8' 2"	8' 10"	9' 2"	9' 10"	10' 6"	11' 0"	11' 9"	12' 1"	13' 2"	13' 9"	15' 0"
Closed Height	5' 10"	6' 1"	6' 5"	6' 6"	7' 1"	7' 3"	7' 10"	8' 5"	8' 9"	9' 5"	9' 7"	10' 5"	10' 10"	11' 8"
Sheave Diameter	10.375	10.375	11.375	11.375	13	13	14.5	16	16	18	18	19.5	19.5	21
Rope Size	0.5"	0.5"	0.625"	0.625"	0.75"	0.75"	0.75"	0.75"	0.75"	0.875"	0.875"	1"	1"	1.125"